



BLUETOOTH AUDIO ADAPTER

- a multifunctional audio adaptor for home appliances

CB-BT27

User Guide



Introduction

Thanks for choosing CUBETEK Bluetooth Audio Adapter. This is a multifunctional audio adapter for home audio system. You can use it as a Transmitter to wirelessly stream audio from your TV to Bluetooth headphones/speakers, or as a Receiver to enable your soundbar/home theatre to receive music streamed from your phone. For better experience, please read this instruction carefully.

Packing Content:

1. Bluetooth Audio Adapter
2. 1X Optical Audio Cable
3. 1X 3.5mm Audio Cable
4. 1X 3.5mm to RCA Audio Cable
5. 1X Type-C Power Cable

Features:

1. 2-in-1 Bluetooth transmitter and receiver | Make your home entertainment system wireless.
2. Simultaneously stream audio to one or two Bluetooth headphones or speakers without delay.
3. Turn your wired speakers, CD players or any non-Bluetooth devices into wireless.
4. Compatible with most of TVs on the market with Optical and AUX audio jacks.
5. 1.8" LCD display and big rotary knob upgrade operation experience, easy to use and farewell blind connection.
6. Unique bypass function allows you enjoy TV via non Bluetooth headphones and speakers.
7. Adopt advanced Bluetooth technology 5.0, fast pairing and auto reconnect.

Specification:

- Bluetooth version: Actions V5.0
- Bluetooth frequency: 2402-2480mHz
- Bluetooth TX/RX distance: >10M (no object)
- Bluetooth audio technology: SBC
- Dual stream: yes, can contact two devices at once
- TX/RX mode interface: Aux/OPT
- Bypass mode interface: Aux/OPT
- Display size: 29*46*1.7MM
- Microphone: No
- Battery: No
- Charging interface: Type-C 5V
- Product size: 112.5*84*32.7mm
- Product weight: 70.1g
- Materials: ABS +PC

Compatibility:

This device can be paired with most of Bluetooth headphones in the market. Each time can be connected with one/two Bluetooth headphones or speakers.

Precautions:

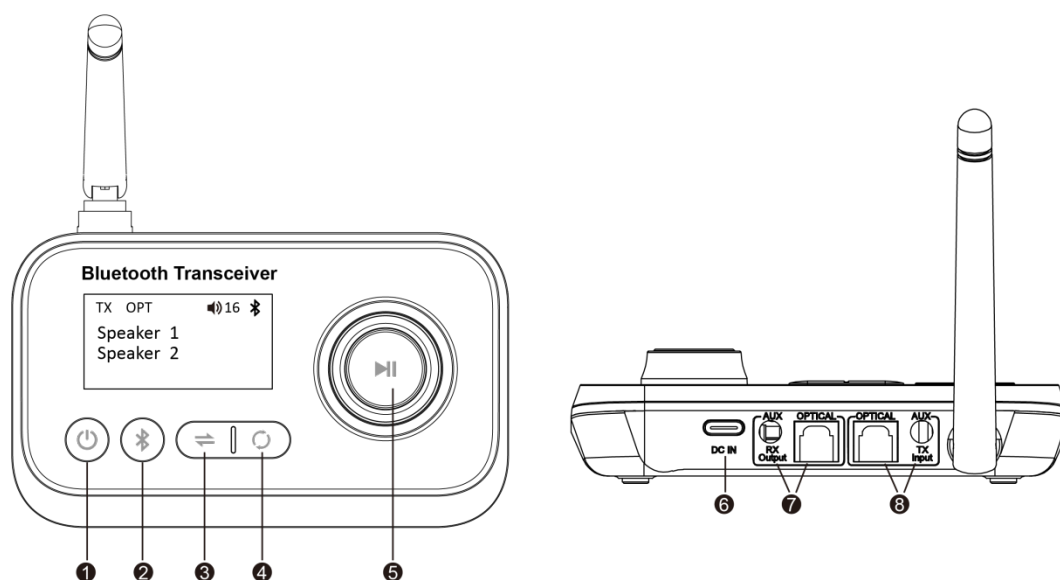
Please read all safety instruction warnings carefully before using this product. Improper use of this product may result in damage to this or attached products. To ensure the products work well, please DON'T:

- Get the Adaptor wet
- Drop the Adaptor as this will invalidate your warranty
- Open up the Adaptor. There are no user serviceable parts inside
- Expose the Adaptor to extreme temperatures or rapid changes of hot to cold or vice versa

Please DO:

- Clean the Adaptor with a soft dry cloth and no detergents

Product Overview:



- ① Power on/off
- ② Bluetooth Pairing/Re-pairing
- ③ Mode Switch (TX/RX/BYPASS)
- ④ Search and pair Bluetooth devices (TX mode)
- ⑤ MFB (RX: Pause/ Volume+/-; TX: Up/Down/Confirm)
- ⑥ Type-C charging port
- ⑦ Output (RX mode)
- ⑧ Input (TX mode)

Operating Instructions:

Power on Bluetooth Transceiver BT17

Connect Bluetooth transceiver with a Type-C cable included.

You may use either a USB port on your TV or a wall plug (via a USB adapter that supports 5V)

Press and hold “①” for 3 seconds to power on the Bluetooth transceiver.

Preparation before setup

1. If you're using it as a Bluetooth receiver (Bluetooth-enabling your speaker or sound system,) please refer to context of use 1;
2. If your TV is connected to your sound system (e.g. Sound Bar, AV receiver, external speaker) already, please use “bypass” feature and refer to context of use 2;
3. If you're only using it with your TV, please refer to context of use 3.

Context of Use 1: Using as a Bluetooth Receiver (RX mode)

1. Switch Bluetooth Transceiver to RX mode, "RX" will be shown on the screen;
2. Connect with speaker/ Soundbar-
 - With 3.5mm Audio Cable
 - With 3.5mm to RCA Audio Cable
 - With Optical Audio Cable
3. Turn on the Bluetooth on your phone or other device and search for "BT17"- tap to connect;
4. Once connected, the name of mobile phone or Bluetooth device will be shown on the screen;
5. Press the MFB ⑤ to pause the music or clockwise/anti-clockwise rotate to increase/decrease the volume.

Please note:

- a. Bluetooth transceiver can connect two mobile phones/devices at the same time.
- b. The transceiver will automatically reconnect to the most recently connected two devices once the Bluetooth of that device has been switched ON.
- c. Press Bluetooth button to disconnect current paired devices.

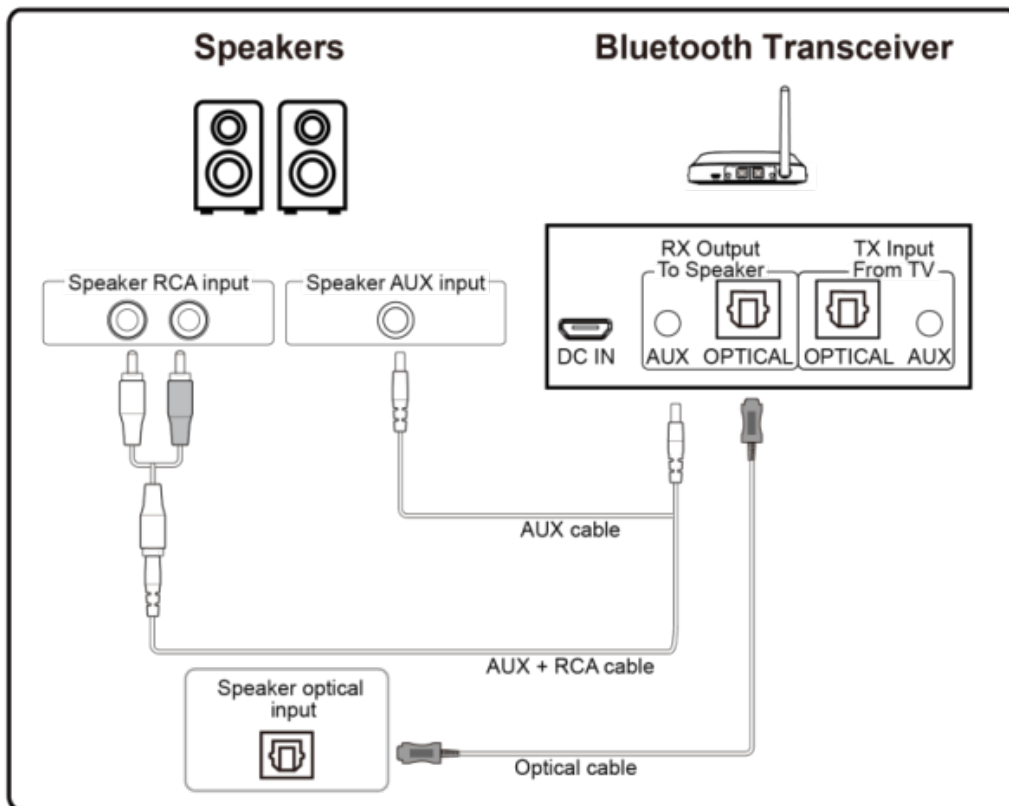


Fig 1: Set up Bluetooth Adapter as Bluetooth Receiver

Context of Use 2: Connect Bluetooth transceiver to your TV (BYPASS mode)

“Bypass mode” allows you to use the Bluetooth transceiver and the Sound bar/Sound System at the same time.

1. Press “③” to switch the Bluetooth transceiver to bypass mode, “BYPASS MODE” will appear on the screen.
2. Connect TV and sound system referred to Fig 2.

Please make sure that you use the same type of input / output, e.g:

- If you’re using the OPTICAL cable with TV, please use OPTICAL cable to connect to sound system.
- If you’re using the AUX/RCA cable to connect to TV, please use AUX/RCA cable to connect to sound system.

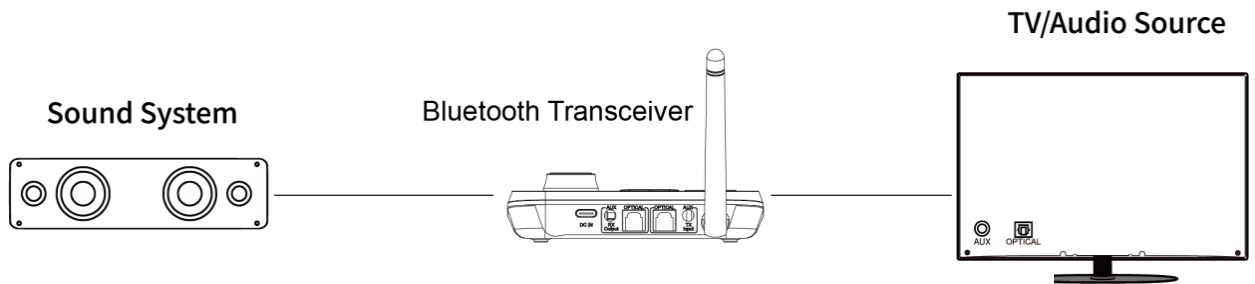


Fig 2: Connect to Bluetooth Transceiver to Sound System (BYPASS mode)

Context of Use 3: Connect Bluetooth transceiver to your TV/audio source and Bluetooth headphones/speakers (TX mode)

1. Press “③” to switch Bluetooth transceiver to TX mode, “TX” will appear on the LCD screen
2. Power on Bluetooth headphone/ speaker and set them in pairing mode.
3. Keep them close to each other and wait. The name of searched Bluetooth headphone/speaker will appear on the screen.
4. Press the MFB to confirm and a voice prompt will let you know the connection is successful.

◆ How to connect the second headphone/speaker:

- 1) Enter the second headphone into pairing mode.
- 2) Press Bluetooth button “②” to search devices.
- 3) Press the MFB to confirm

◆ **How to choose the paired Bluetooth headphones/speakers:**

1. Press Bluetooth button "②" to disconnect current two paired devices.
2. The transceiver will automatically enter searching mode and all searched devices name will appear on the screen. (One page only can show four device name)
3. Clockwise/anti-clockwise rotate the MFB to choose the device you need then press to confirm.

◆ **How to automatically connect two Bluetooth headphones/speakers:**

Press ④ to disconnect current two paired devices and automatically enter searching and connecting model. Once connected, two devices name will appear on the screen.

Please note:

1. The transceiver will automatically reconnect to the recently connected two headphones/speakers once they are on pairing mode.
2. Please choose correct output before connecting. (refer to fig 3)

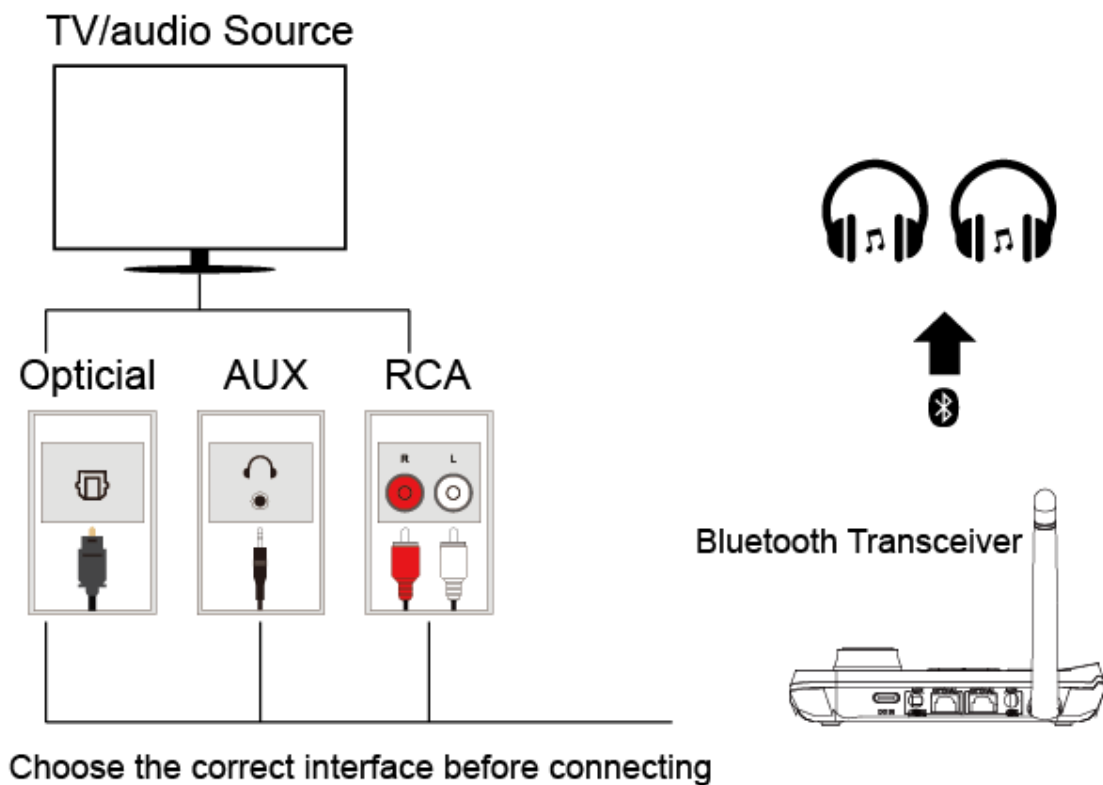


Fig 3: Set up Bluetooth Adapter as Bluetooth transmitter